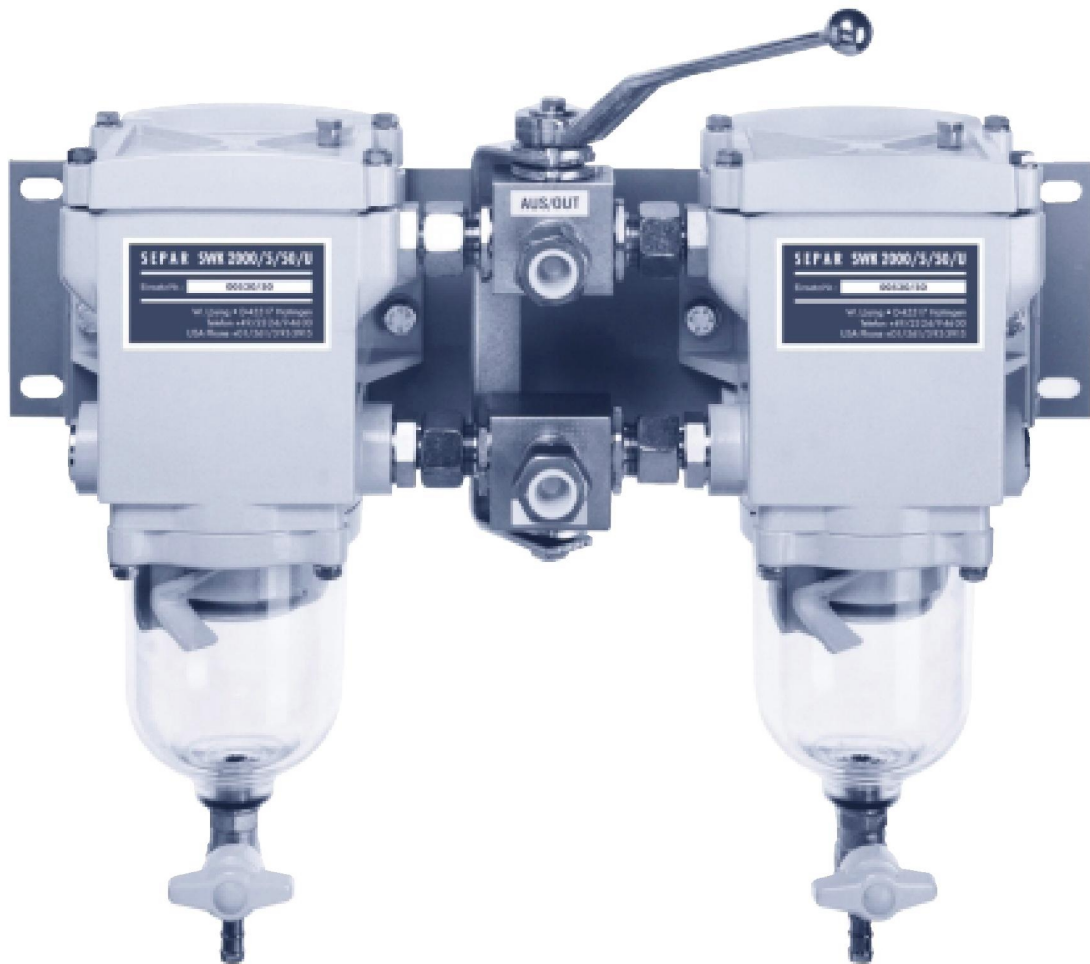


# SEPAR FILTER

## SEPAR 2000

### SWK 2000/5/50/U

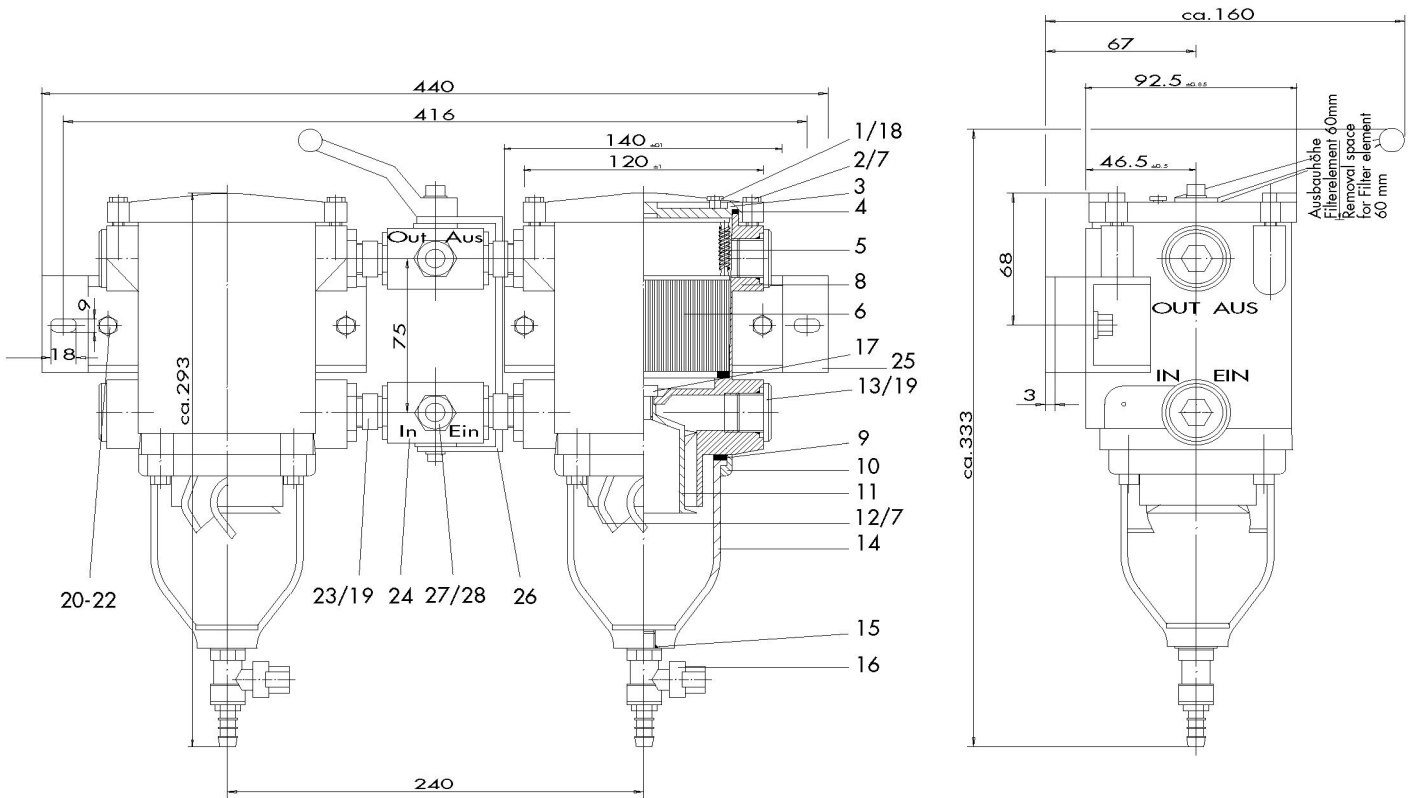


POS.	ARTICLE	PIECE	DESIGNATION	DESCRIPTION	POS.	ARTICLE	PIECE	DESIGNATION	DESCRIPTION
1	30408	2	Purge d'air	bleed valve	15	40002	2	Joint	gasket
2	30430	8	Vis(couvercle)	screw (lid)	16	30366	2	Robinet de purge	drain cock
3	30542	2	Couvercle	lid	17	30560	2	Vis	screw
4	30545	2	Joint de couvercle	lid gasket	18	30558	2	Joint torique f. Pos.1	gasket f. Pos.1
5	30295	2	Cassette à ressorts	spring cassette	19	30472	8	Joint torique f. Pos.1 3	gasket f. Pos.1 3
6	00530/50	2	Elément filtrant	filter élément	20	30133	4	Vis	screw
7	30447	16	Rondelle	washer	21	30022	4	Ecrou frein	lock nut
8	10170	2	Corps	housing	22	30021	8	Rondelle	washer
9	30565	2	Joint de bol	bowl gasket	23	30473	4	Raccord droit	straight fitting
10	30564	2	Anneau de bol	bowl retainer ring	24	30474	2	Vanne	reversing valve
11	30548	2	Centrifuge	centrifuge	25	30475	1	Support	mounting plate
12	30561	8	Vis (anneau de bol)	screw (for bowl retainer ring)	26	30499	1	Poignée	reversing lever
13	30471	4	Bouchon de fermeture	blind screw	27	30249	2	Ecrou	union nut
14	30984	2	Bol	bowl	28	30250	2	Bague	cutting ring

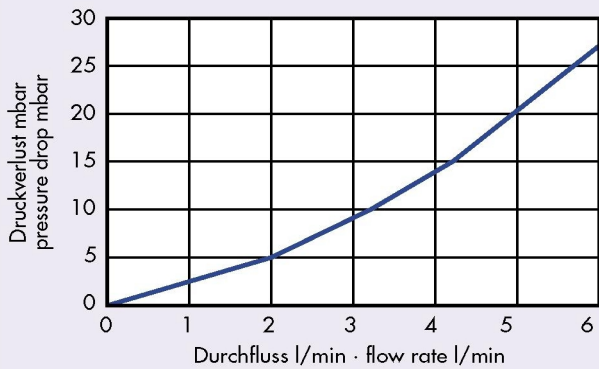
# SEPAR FILTER

## SEPAR 2000

SWK 2000/5/50/U



FLUSSDIAGRAMM · FLOW DIAGRAMM



Max. Durchflussmenge: 5 l/min  
Max. flow rate: 5 l/min

Anschluss: 12 mm Rohr Ø  
Connection: 12 mm Pipe Ø

Technische Änderungen vorbehalten  
We reserve the right to make technical changes without notification

**Willibrord Lösing**  
Filter-Technik



Postfach 866009  
45517 Hattingen  
Essener Straße 108  
45529 Hattingen  
Telefon 023 24/9 46 00  
Telefax 023 24/408 42

