

SEPAR FILTER

SEPAR 2000

SWK 2000/18/U

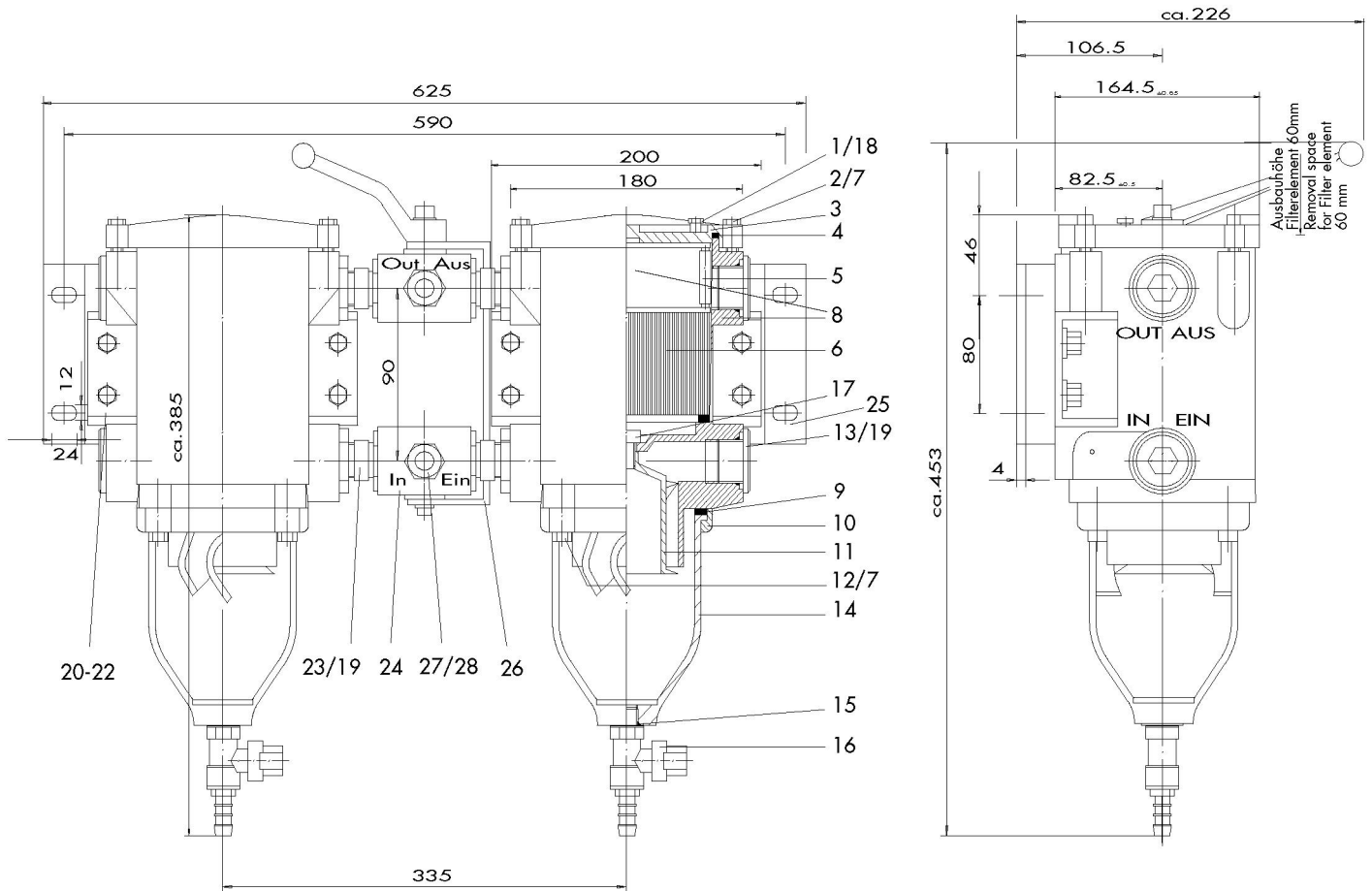


POS.	ARTICLE	PIECES	DESIGNATION	DESCRIPTION	POS.	ARTICLE	PIECES	DESIGNATION	DESCRIPTION
1	30408	2	Purge d'air	bleed valve	15	30472	2	Joint	gasket
2	30452	8	Vis (couverture)	screw (lid)	16	30343	2	Robinet de purge	drain cock
3	30572	2	Couvercle	lid	17	30560	2	Vis	screw
4	30421	2	Joint de couvercle	lid gasket	18	30558	2	Joint Pos.I	gasket f. Pos.I
5	30298	2	Cassette à ressorts	spring cassette	19	30721	8	Joint Pos.I 3	gasket f. Pos.I 3
6	01830	2	Elément filtrant	filter élément	20	30488	8	Vis	screw
7	30448	16	Rondelle	washer	21	30022	8	Ecrou frein	lock nut
8	30428	2	Corps	housing	22	30021	16	Rondelle	washer
9	30423	2	Joint de bol	bowl gasket	23	30464	4	Raccord droit	straight fitting
10	30575	2	Anneau de bol	bowl retainer ring	24	30465	1	Vanne	reversing valve
11	30429	2	Centrifuge	centrifuge	25	30466	1	Support	mounting plate
12	30567	8	Vis (anneau de bol)	screw (for bawl retainer ring)	26	30492	1	Poignée	reversing lever
13	30705	4	Bouchon de fermeture	blind screw	27	30338	2	Ecrou	union nut
14	30986	2	Bol	bowl	28	30339	2	Bague	cutting ring

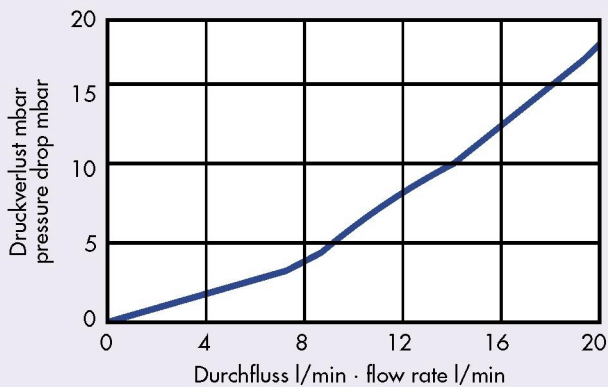
SEPAR FILTER

SEPAR 2000

SWK 2000/18/U



FLUSSDIAGRAMM · FLOW DIAGRAMM



Max. Durchflussmenge: 18 l/min Anschluss: 22 mm Rohr Ø
 Max. flow rate: 18 l/min Connection: 22 mm Pipe Ø

Technische Änderungen vorbehalten
 We reserve the right to make technical changes without notification

Willibrord Lösing
 Filter-Technik



Postfach 86 6009
 45517 Hattingen
 Essener Straße 108
 45529 Hattingen
 Telefon 0 23 24/9 46 00
 Telefax 0 23 24/408 42

