

SEPAR FILTER

SEPAR 2000

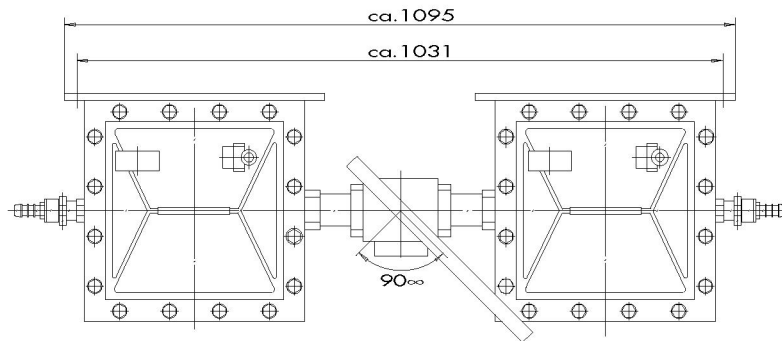
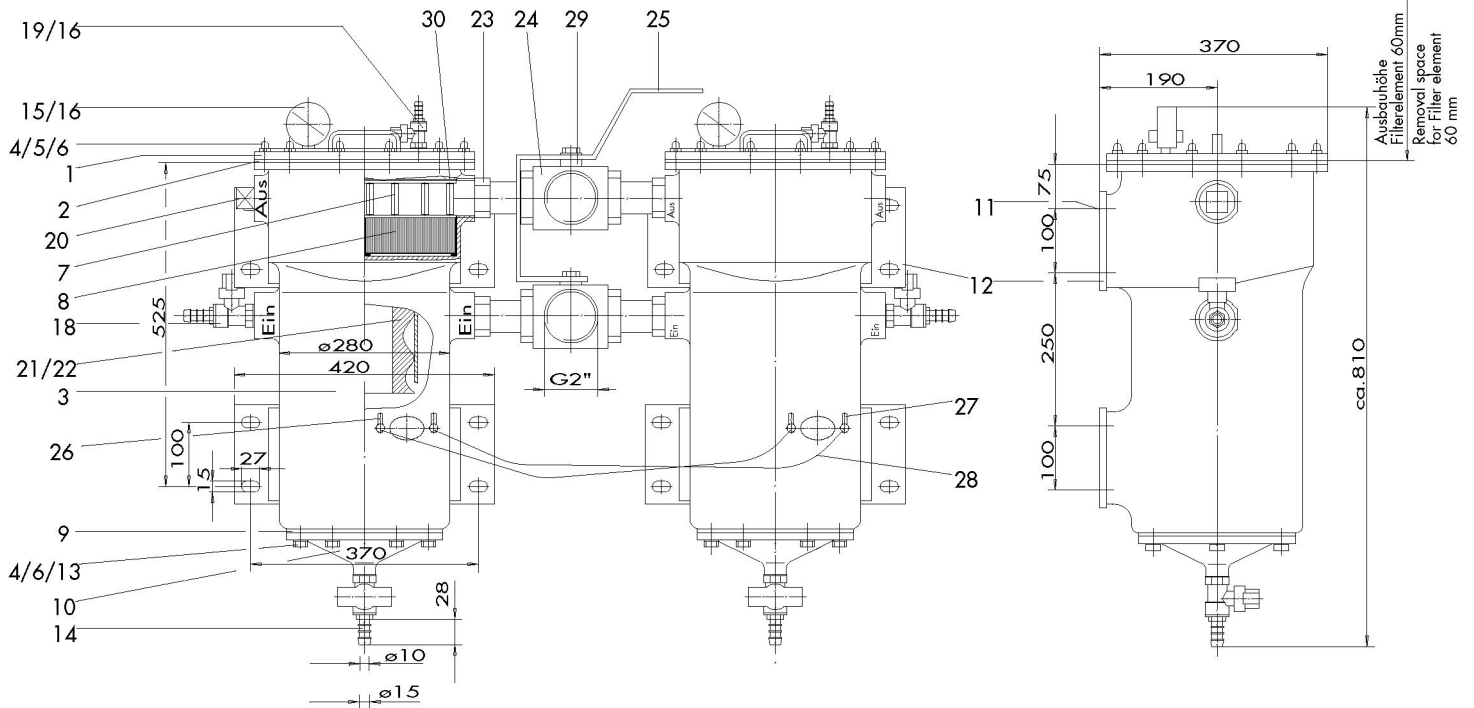
SWK 2000/130/UMK



POS.	ARTICLE	PIECE	DESIGNATION	DESCRIPTION	POS.	ARTICLE	PIECE	DESIGNATION	DESCRIPTION
1	10050	2	Couvercle	lid	16	40002	4	Joint	gasket
2	30387	2	Joint de couvercle	lid gasket	17	10062	4	Reduction	reducing bushes
3	10133	2	Corps	housing	18	10074	2	Vanne 1/2" DN15	bail valve
4	10072	44	Goujon	stud screw	19	30366	2	Robinet de purge	bleed valve
5	10073	32	Ecrou borgne	cap nut	20	10053	2	Bouchon 2"	plugs
6	30021	64	Rondelle	washer 8.4 DIN 125	21	10056	2	Centrifuge	centrifuge
7	30298	8	Cassette à ressorts	spring cassette	22	10057	2	Vis	fastening screw
8	01830	8	Élément filtrant	filter élément	23	10058	4	Raccord 2"	fitting
9	10136	2	Joint	gasket	24	10043	2	Vanne	reversing valve
10	10135	2	Couvercle bas	bottom	25	10059	1	Poignée	reversing lever
11	10138	32	Ecrou	countersunk head	26	10016	2	Contact niveau eau simple	water contact (single)
12	10129	4	Support	mounting plate	27	10017	2	Contact niveau eau double	water contact (double)
13	10137	12	Vis M8 DIN 934	screw	28	10078	1	Cable de connection	connections wire
14	30456	2	Robinet de purge	drain cock	29	10081	1	Coude	elbow
15	30650	2	Mano controle colmatage	vacuum gauge	30	10022	2	Andrückkreuz	pressure frome

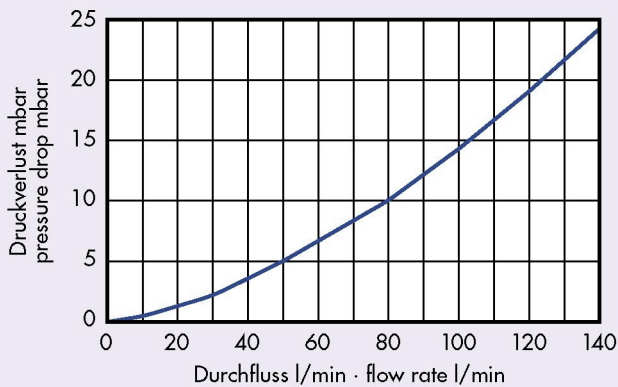
SEPAR 2000

SWK 2000/130/UMK



Linker Filter in Betrieb Rechter Filter in Betrieb

FLUSSDIAGRAMM · FLOW DIAGRAM



Max. Durchflussmenge: 130 l/min Max. flow rate: 130 l/min
 Anschluss: 2" Rohr Connection: 2" Pipe
 Gewicht: 125 kg Weight: 125 kg

Technische Änderungen vorbehalten
 We reserve the right to make technical changes without notification

Willibrord Lösing
 Filter-Technik



Postfach 866009
 45517 Hattingen
 Essener Straße 108
 45529 Hattingen
 Telefon 02324/94600
 Telefax 02324/40842