

# SEPAR FILTER

## SEPAR 2000

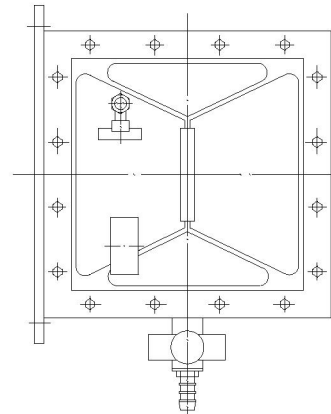
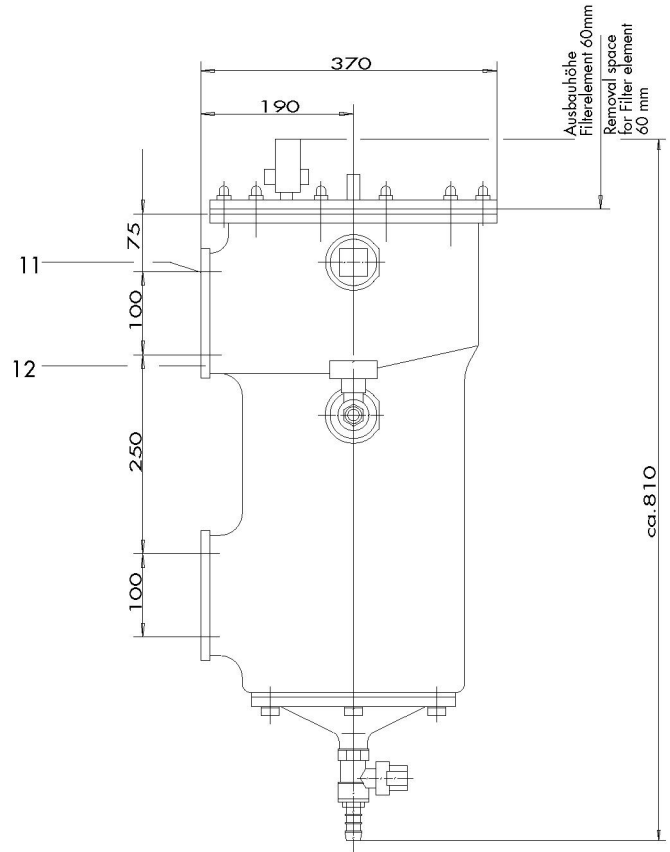
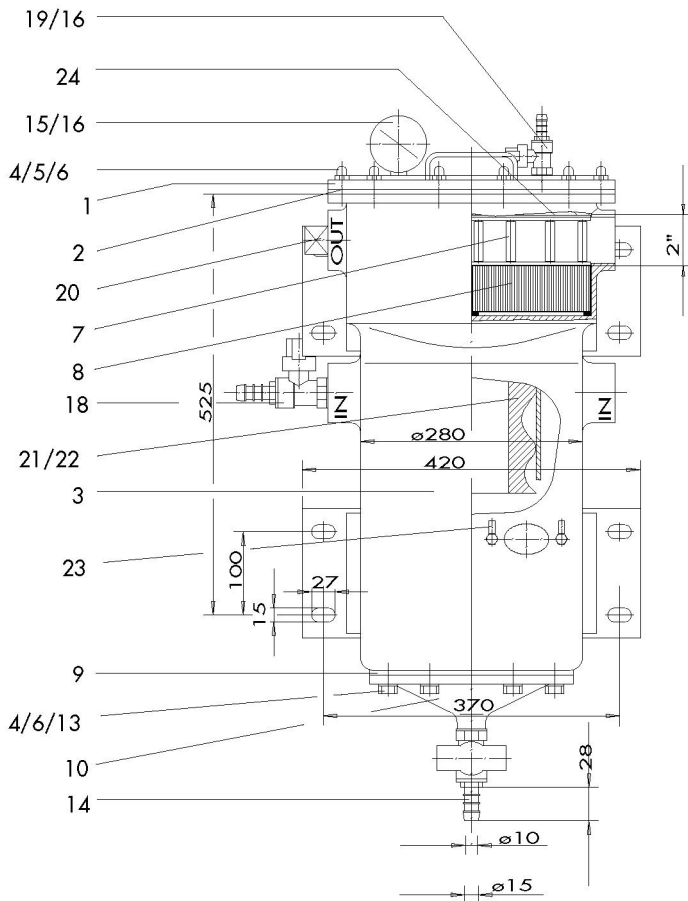
SWK 2000/130/MK



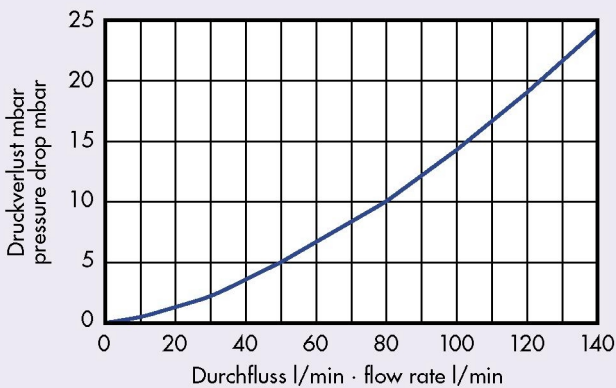
POS.	ARTICLE NR.	STÜCK PIECES	DESIGNATION	DESCRIPTION DESIGNATION	ARTICLE NR.	STÜCK PIECES	DESIGNATION	DESCRIPTION
1	10050	1	Couvercle	lid	13	10137	Ecrou. Mu. M8 DIN 934	nut
2	30387	1	Joint de couvercle	lid gasket	14	30456	Robinet de purge	drain cock
3	10133	1	Corps	housing	15	30650	Vacuummeter	vacuum gauge
4	10072	22	Goujon	stud screw	16	40002	Joint	gasket
5	10073	16	Ecrou DIN 1587-M8	cap nut	17	10062	Reduction	reducing bushes
6	30021	32	Washer 8.4 DIN 125	washer 8.4 DIN 125	18	10074	Vanne 1/2" DN15	bail valve
7	30298	4	Cassette à ressorts	spring cassette	19	30366	Robinet de purge	bleed valve
8	01830	4	Élément filtrant	filter élément	20	10053	Bouchon 2"	plugs
9	10136	1	Joint	gasket	21	10056	Centrifuge	centrifuge
10	10135	1	Couvercle bas	bottom	22	10057	Vis	fasting screw
11	10138	16	Vis M 10x30	countersunk head	23	10016	Contact présence d'eau	water contact
12	10129	2	Support	mounting plate	24	10022		contact pressure cross

## SEPAR 2000

SWK 2000/130/MK



### FLUSSDIAGRAMM · FLOW DIAGRAM



Max. Durchflussmenge: 130 l/min    Max. flow rate: 130 l/min  
 Anschluss: 2" Rohr    Connection: 2" Pipe  
 Gewicht: 50 kg    Weight: 50 kg

Technische Änderungen vorbehalten  
 We reserve the right to make technical changes without notification

**Willibrord Lösing**  
 Filter-Technik



Postfach 86 6009  
 45517 Hattingen  
 Essener Straße 108  
 45529 Hattingen  
 Telefon 0 23 24/9 46 00  
 Telefax 0 23 24/4 08 42